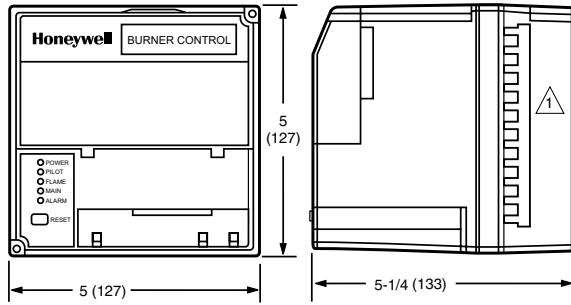


Microprocessor Burner Controls

RM7896 On-Off Primary Control with Pre- and Post-Purge



Dimensions in inches (millimeters)



REMOVE ONLY FOR TERMINAL TEST ACCESS. M5003B

Microprocessor-based integrated full-function primary burner control for automatically fired gas, oil, or combination fuel single burner applications. Provides level of safety, functional capability and features beyond conventional controls.

- Functions include automatic burner sequencing, flame supervision, system status indication, system or self-diagnostics and troubleshooting.
- Subbase, amplifier and purge card are required for operation.
- Options include PC interface, keyboard display module, DATA CONTROLBUS™ MODULE, remote display module, first-out expanded annunciator, and COMBUSTION SYSTEM MANAGER™ software.
- 15 second postpurge.
- Five LEDs provide sequence information.
- Interchangeable plug-in flame amplifiers.
- Local or remote annunciation of operation and fault information.
- Nonvolatile memory retains history files and sequencing status after power loss.
- Optional remote reset capability.
- Optional report generation.
- Selectable recycle or lockout on loss of airflow or flame.
- Shutter drive output.
- Airflow switch check.
- Delayed main valve.

Application: On-Off Primary Control with Pre- and Post-purge

Interlocks: Selectable

PrePurge: Determined by ST7800A Purge Timer Card

Required Components: Q7800A, B Universal Wiring Subbases. R7847, R7848, R7849, R7851, R7852, R7861, or R7886 Flame Signal Amplifier. ST7800A Plug-in Purge Timer Card.

Voltage: 120 Vac (+10, -15%)

Frequency: 50 Hz; 60 Hz (±10%)

Vibration: 0.5 G environment

Shipping and Storage Temperature Range: -40°F to +140°F (-40°C to +60°C)

Approximate, Dimensions: 5 in. wide x 5 in. high x 5 1/4 in. deep with Q7800A Subbase x 6 3/32 in. deep with Q7800B Subbase (127 mm wide x 127 mm high x 133 mm deep with Q7800A Subbase x 155 mm deep with Q7800B Subbase)

Weight lb. (kg): 1 lb 15 oz (0.9 kg)

Approvals, Underwriters Laboratories Inc.: Component Recognized, File No. MP268; Guide No. MCCZ.

Approvals, CSA: Certified, File No. LR95329-3.

Approvals, FCC: FCC Part 15, Class B, Emissions.

Approvals, Swiss RE: Acceptable

Approvals, Factory Mutual: Report No. OX4A5.AF.

Material Number	Pilot Type	AirFlow Check	Flame Establishing Period - Main	Flame Establishing Period - Pilot	Delayed Main Valve	PostPurge	Comments
RM7896A1012/U	intermittent		Intermittent	4 sec or 10 sec	No	15 sec	Includes Pre- and Post-Purge.
RM7896C1010/U	interrupted		10 sec	4 sec or 10 sec	Yes	15 sec	Includes Pre- and Post-Purge.
RM7896D1019/U	interrupted	Dynamic	10 sec	4 sec or 10 sec	Yes	15 sec	Includes Pre- and Post-Purge.
RM7896D1027/U	interrupted	Dynamic	10 sec	4 sec or 10 sec	Yes	60 sec	Blinking Fault code LED, early spark termination when flame sensed, pre- and post-purge