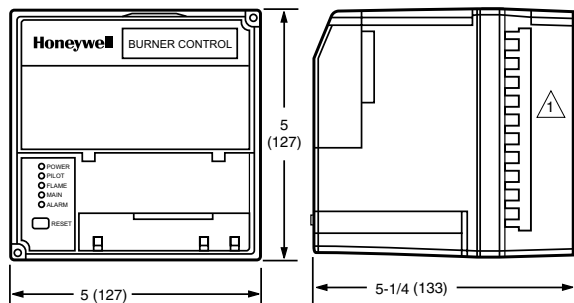


Microprocessor Burner Controls

RM7890; EC7890 On-Off Primary Controls



Dimensions in inches (millimeters)



REMOVE ONLY FOR TERMINAL TEST ACCESS. M5003B

Microprocessor-based integrated primary burner control for automatically fired gas, oil or combination fuel single burner applications. Provides level of safety, functional capability and features beyond conventional controls.

- Functions include automatic burner sequencing, flame supervision, system status indication, system or self diagnostics and troubleshooting.
- Subbase and amplifier are required for operation.
- Options include PC interface, keyboard display module, DATA CONTROLBUS™ MODULE, remote display module, first-out expanded annunciator, and COMBUSTION SYSTEM MANAGER™ software.
- Five LEDs provide sequence information.
- Interchangeable plug-in flame amplifiers.
- Optional local or remote annunciation of operation and fault information.
- Nonvolatile memory retains history files and sequencing status after power loss.
- Optional remote reset capability.
- Optional report generation.
- Selectable relight or lockout on loss of flame.

Application: On-Off Primary Control

Flames Establishing Period - Main: Intermittent

Required Components: Q7800A, B Universal Wiring Subbases.

R7847, R7848, R7849, R7851, R7852, R7861, or R7886 Flame Signal Amplifier.

Frequency: 50 Hz; 60 Hz (±10%)

Pilot Type: intermittent

Vibration: 0.5 G environment

Shipping and Storage Temperature Range: -40°F to +140°F (-40°C to +60°C)

Approximate, Dimensions: 5 in. wide x 5 in. high x 5 1/4 in. deep with Q7800A Subbase x 6 3/32 in. deep with Q7800B Subbase (127 mm wide x 127 mm high x 133 mm deep with Q7800A Subbase x 155 mm deep with Q7800B Subbase)

Weight lb. (kg): 1 lb 13 oz (0.8 kg)

Approvals, Swiss RE: Acceptable



Material Number	Voltage	Flame Establishing Period - Pilot	Approvals, Underwriters Laboratories Inc.	Approvals, CSA	Approvals, Factory Mutual	Approvals, Gastec/European	Comments
EC7890A1011/U	220 to 240 Vac (+10, -15%)	4 sec or 10 sec			Report No. 1D0A1.AF		
EC7890B1010/U	220 to 240 Vac (+10, -15%)	4 sec or 10 sec			Report No. 1D0A1.AF		Includes Shutter Drive Capability
EC7890B1028/U	220 to 240 Vac (+10, -15%)	4 sec or 10 sec			Report No. 1V9A0.AF.		Includes Shutter Drive Capability
RM7890A1015/U	120 Vac (+10, -15%)	4 sec or 10 sec	Component Recognized, File No. MP268; Guide No. MCCZ.	Certified, File No. LR95329-3.	Report No. OX4A5.AF.		
RM7890A1031/U	120 Vac (+10, -15%)	30 sec fixed	Component Recognized, File No. MP268; Guide No. MCCZ.	Certified, File No. LR95329-3.	Report No. OX4A5.AF.		
RM7890A1064/U	120 Vac (+10, -15%)	4 sec or 10 sec			Report No. 1D0A1.AF	GASTEC: CE-63AP3070/1, Approved to EN298.	
RM7890B1014/U	120 Vac (+10, -15%)	4 sec or 10 sec	Component Recognized, File No. MP268; Guide No. MCCZ.	Certified, File No. LR95329-3.	Report No. OX4A5.AF.		Includes Shutter Drive Capability
RM7890B1030/U	120 Vac (+10, -15%)	Fixed 4 sec or 10 sec PFEP	Component Recognized, File No. MP268; Guide No. MCCZ.	Certified, File No. LR95329-3.	Report No. OX4A5.AF.		Includes Shutter Drive Capability, Alarm sounds when Reset pushed.
RM7890B1055/U	120 Vac (+10, -15%)	4 sec or 10 sec	Component Recognized, File No. MP268; Guide No. MCCZ.	Certified, File No. LR95329-3.	Report No. OX4A5.AF.	Gastec EN268 Report 1156791	Includes Shutter Drive Capability
RM7890D1004/U	120 Vac (+10, -15%)	15 sec or 30 sec	Component Recognized, File No. MP268; Guide No. MCCZ.	Certified, File No. LR95329-3.	Report No. OX4A5.AF.		Higher Flame Sensor Voltage for Infra Red Heater Applications