

## V5055 Industrial Gas Valves



**Safety shutoff valves used with V4055, V4062 and V9055 fluid power actuators to control gas flow to commercial and industrial burners.**

- Use with natural or LP gases.
- Mount directly in gas supply line.
- Include 1/4 in. NPT upstream and downstream taps and plug.
- 4 in. models have only flanged connections.
- V5055 normally closed valves are rated for final shutoff service safety shutoff.

- V5055A, C, D, E Valves are for On-Off service.
- V5055B Valve has a characterized guide and in combination with the V4055, V4062, and V9055 Fluid Power Actuators, provides slow-opening, hi-lo-off, and modulating functions respectively.
- V5055C, E, F Valves have a double seal and are used with V4055D, E Actuators to provide proof-of-closure switch and valve seal over-travel interlock.
- V5055D, E, F Valves are for high pressure applications.

**Operating Temperature Range:** -40°F to +150°F; When used with V9055 – -40°F to +125°F (-40°C to +66°C; When used with V9055 – -40°C to +52°C)

**Approvals, Underwriters Laboratories Inc.:** When used with V4055A, B, D, E, V4062, V9055: Listed, File No. MH1639 Guide No. YIOZ

**Approvals, CSA:** When used with V4055, V4062, and V5097: Certified General listed File No. 158158, Class 3371 for USA and Canada

**Approvals, Swiss RE:** When used with the V4055A, G and V9055A: Approved, Report Nos. 20698, 20835, 21172, and 24061

**Used With:** V9055; V4055; V4062

Material Number	Pipe Size (inch)	Pipe Size (DN)	Capacity (cfh)	Capacity (m³/hr)	Connection Type	Maximum Operating Differential Pressure	Approvals, Factory Mutual	Comments	Includes
V5055A1004/U	1 in.	DN25	960 cfh	27.2 m³/hr	NPT	With V4055A, D or V4062 – 5 psi (340 mbar); With V4055B or E – 15 psi (1 bar)	When used with the V4055A, G and V9055A: Approved, Report Nos. 20698, 20835, 21172, and 24061		1/4 in. -18 NPT upstream tap and plug, 1/4 in. -18 NPT downstream tap and plug
V5055A1012/U	1 1/4 in.	DN32	1406 cfh	39.8 m³/hr	NPT	With V4055A, D or V4062 – 5 psi (340 mbar); With V4055B or E – 15 psi (1 bar)	When used with the V4055A, G and V9055A: Approved, Report Nos. 20698, 20835, 21172, and 24061		1/4 in. -18 NPT downstream tap and plug, 1/4 in. -18 NPT upstream tap and plug
V5055A1020/U	1 1/2 in.	DN40	1717 cfh	48.6 m³/hr	NPT	With V4055A, D or V4062 – 5 psi (340 mbar); With V4055B or E – 15 psi (1 bar)	When used with the V4055A, G and V9055A: Approved, Report Nos. 20698, 20835, 21172, and 24061		1/4 in. -18 NPT downstream tap and plug, 1/4 in. -18 NPT upstream tap and plug
V5055A1038/U	2 in.	DN50	3620 cfh	102.5 m³/hr	NPT	With V4055A, D or V4062 – 5 psi (340 mbar); With V4055B or E – 15 psi (1 bar)	When used with the V4055A, G and V9055A: Approved, Report Nos. 20698, 20835, 21172, and 24061		1/4 in. -18 NPT upstream tap and plug, 1/4 in. -18 NPT downstream tap and plug
V5055A1046/U	2 1/2 in.	DN65	4250 cfh	120 m³/hr	NPT	With V4055A, D or V4062 – 5 psi (340 mbar); With V4055B or E – 15 psi (1 bar)	When used with the V4055A, G and V9055A: Approved, Report Nos. 20698, 20835, 21172, and 24061		1/4 in. -18 NPT upstream tap and plug, 1/4 in. -18 NPT downstream tap and plug
V5055A1053/U	3 in.	DN80	5230 cfh	148 m³/hr	NPT	With V4055A, D or V4062 – 5 psi (340 mbar); With V4055B or E – 15 psi (1 bar)	When used with the V4055A, G and V9055A: Approved, Report Nos. 20698, 20835, 21172, and 24061		1/4 in. -18 NPT upstream tap and plug, 1/4 in. -18 NPT downstream tap and plug
V5055A1228/U	4 in.	DN100	10200 cfh	288.8 m³/hr	Flanged	With V4055A, D or V4062 – 3 psi (20.7 kPa); With V4055B or E – 5 psi (340 mbar)	When used with the V4055A, G and V9055A: Approved, Report Nos. 20698, 20835, 21172, and 24061		1/4 in. -18 NPT upstream tap and plug, 1/4 in. -18 NPT downstream tap and plug
V5055A1343/U	3/4 in.	DN20	665 cfh		NPT	With V4055A, D or V4062 – 5 psi (340 mbar); With V4055B or E – 15 psi (1 bar)	When used with the V4055A, G and V9055A: Approved, Report Nos. 20698, 20835, 21172, and 24061		1/4 in. -18 NPT upstream tap and plug, 1/4 in. -18 NPT downstream tap and plug

# Industrial Gas Valves

Material Number	Pipe Size (inch)	Pipe Size (DN)	Capacity (cfh)	Capacity (m <sup>3</sup> /hr)	Connection Type	Maximum Operating Differential Pressure	Approvals, Factory Mutual	Comments	Includes
V5055B1002/U	1 in.	DN25	960 cfh	27.2 m <sup>3</sup> /hr	NPT	With V4055A, D or V4062 – 5 psi (340 mbar); With V4055B or E – 15 psi (1 bar)	When used with the V4055A, G and V9055A: Approved, Report Nos. 20698, 20835, 21172, and 24061		1/4 in. -18 NPT upstream tap and plug, 1/4 in. -18 NPT downstream tap and plug
V5055B1010/U	1 1/4 in.	DN32	1406 cfh	39.8 m <sup>3</sup> /hr	NPT	With V4055A, D or V4062 – 5 psi (340 mbar); With V4055B or E – 15 psi (1 bar)	When used with the V4055A, G and V9055A: Approved, Report Nos. 20698, 20835, 21172, and 24061		1/4 in. -18 NPT downstream tap and plug, 1/4 in. -18 NPT upstream tap and plug
V5055B1028/U	1 1/2 in.	DN40	1717 cfh	48.6 m <sup>3</sup> /hr	NPT	With V4055A, D or V4062 – 5 psi (340 mbar); With V4055B or E – 15 psi (1 bar)	When used with the V4055A, G and V9055A: Approved, Report Nos. 20698, 20835, 21172, and 24061		1/4 in. -18 NPT downstream tap and plug, 1/4 in. -18 NPT upstream tap and plug
V5055B1069/U	2 in.	DN50	3620 cfh	102.5 m <sup>3</sup> /hr	NPT	With V4055A, D or V4062 – 5 psi (340 mbar); With V4055B or E – 15 psi (1 bar)	When used with the V4055A, G and V9055A: Approved, Report Nos. 20698, 20835, 21172, and 24061		1/4 in. -18 NPT upstream tap and plug, 1/4 in. -18 NPT downstream tap and plug
V5055B1077/U	2 1/2 in.	DN65	4250 cfh	120 m <sup>3</sup> /hr	NPT	With V4055A, D or V4062 – 5 psi (340 mbar); With V4055B or E – 15 psi (1 bar)	When used with the V4055A, G and V9055A: Approved, Report Nos. 20698, 20835, 21172, and 24061		1/4 in. -18 NPT upstream tap and plug, 1/4 in. -18 NPT downstream tap and plug
V5055B1085/U	3 in.	DN80	5230 cfh	148 m <sup>3</sup> /hr	NPT	With V4055A, D or V4062 – 5 psi (340 mbar); With V4055B or E – 15 psi (1 bar)	When used with the V4055A, G and V9055A: Approved, Report Nos. 20698, 20835, 21172, and 24061		1/4 in. -18 NPT upstream tap and plug, 1/4 in. -18 NPT downstream tap and plug
V5055B1150/U	4 in.	DN100	9180 cfh	259.9 m <sup>3</sup> /hr	Flanged	With V4055A, D or V4062 – 3 psi (20.7 kPa); With V4055B or E – 5 psi (340 mbar)	When used with the V4055A, G and V9055A: Approved, Report Nos. 20698, 20835, 21172, and 24061		1/4 in. -18 NPT upstream tap and plug, 1/4 in. -18 NPT downstream tap and plug
V5055C1000/U	2 in.	DN50	3620 cfh	102.5 m <sup>3</sup> /hr	NPT	With V4055A, D or V4062 – 5 psi (340 mbar); With V4055B or E – 15 psi (1 bar)	When used with the V4055D, F and V9055A: Approved, Report Nos. 20698, 20835, 21172, and 24061		1/4 in. -18 NPT upstream tap and plug, 1/4 in. -18 NPT downstream tap and plug
V5055C1018/U	2 1/2 in.	DN65	4250 cfh	120 m <sup>3</sup> /hr	NPT	With V4055A, D or V4062 – 5 psi (340 mbar); With V4055B or E – 15 psi (1 bar)	When used with the V4055D, F and V9055A: Approved, Report Nos. 20698, 20835, 21172, and 24061		1/4 in. -18 NPT upstream tap and plug, 1/4 in. -18 NPT downstream tap and plug
V5055C1026/U	3 in.	DN80	5230 cfh	148 m <sup>3</sup> /hr	NPT	With V4055A, D or V4062 – 5 psi (340 mbar); With V4055B or E – 15 psi (1 bar)	When used with the V4055D, F and V9055A: Approved, Report Nos. 20698, 20835, 21172, and 24061		1/4 in. -18 NPT downstream tap and plug, 1/4 in. -18 NPT upstream tap and plug
V5055C1034/U	1 in.	DN25	960 cfh	27.2 m <sup>3</sup> /hr	NPT	With V4055A, D or V4062 – 5 psi (340 mbar); With V4055B or E – 15 psi (1 bar)	When used with the V4055D, F and V9055A: Approved, Report Nos. 20698, 20835, 21172, and 24061		1/4 in. -18 NPT upstream tap and plug, 1/4 in. -18 NPT downstream tap and plug
V5055C1042/U	1 1/4 in.	DN32	1406 cfh	39.8 m <sup>3</sup> /hr	NPT	With V4055A, D or V4062 – 5 psi (340 mbar); With V4055B or E – 15 psi (1 bar)	When used with the V4055D, F and V9055A: Approved, Report Nos. 20698, 20835, 21172, and 24061		1/4 in. -18 NPT downstream tap and plug, 1/4 in. -18 NPT upstream tap and plug

# Industrial Gas Valves

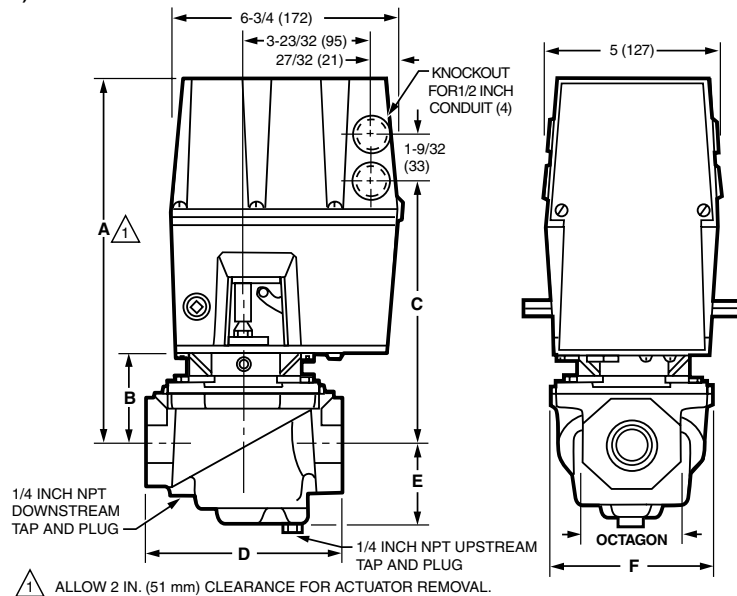
Material Number	Pipe Size (inch)	Pipe Size (DN)	Capacity (cfh)	Capacity (m <sup>3</sup> /hr)	Connection Type	Maximum Operating Differential Pressure	Approvals, Factory Mutual	Comments	Includes
V5055C1059/U	1 1/2 in.	DN40	1717 cfh	48.6 m <sup>3</sup> /hr	NPT	With V4055A, D or V4062 – 5 psi (340 mbar); With V4055B or E – 15 psi (1 bar)	When used with the V4055D, F and V9055A: Approved, Report Nos. 20698, 20835, 21172, and 24061		1/4 in. -18 NPT upstream tap and plug, 1/4 in. -18 NPT downstream tap and plug
V5055C1109/U	4 in.	DN100	9180 cfh	259.9 m <sup>3</sup> /hr	Flanged	With V4055A, D or V4062 – 3 psi (20.7 kPa); With V4055B or E – 5 psi (340 mbar)	When used with the V4055D, F and V9055A: Approved, Report Nos. 20698, 20835, 21172, and 24061		1/4 in. -18 NPT upstream tap and plug, 1/4 in. -18 NPT downstream tap and plug
V5055C1182/U	3/4 in.	DN20	665 cfh		NPT	With V4055A, D or V4062 – 5 psi (340 mbar); With V4055B or E – 15 psi (1 bar)	When used with the V4055D, F and V9055A: Approved, Report Nos. 20698, 20835, 21172, and 24061		1/4 in. -18 NPT downstream tap and plug, 1/4 in. -18 NPT upstream tap and plug
V5055D1008/U	1 in.	DN25	960 cfh	27.2 m <sup>3</sup> /hr	NPT	With V4055A, D or V4062 – 5 psi (340 mbar); With V4055B or E – 25 psi (1.6 bar)	When used with the V4055B: Approved, Report Nos. 20698, 20835, 21172, and 24068		1/4 in. -18 NPT upstream tap and plug, 1/4 in. -18 NPT downstream tap and plug
V5055D1016/U	1 1/4 in.	DN32	1406 cfh	39.8 m <sup>3</sup> /hr	NPT	With V4055A, D or V4062 – 5 psi (340 mbar); With V4055B or E – 25 psi (1.6 bar)	When used with the V4055B: Approved, Report Nos. 20698, 20835, 21172, and 24068		1/4 in. -18 NPT upstream tap and plug, 1/4 in. -18 NPT downstream tap and plug
V5055D1024/U	1 1/2 in.	DN40	1717 cfh	48.6 m <sup>3</sup> /hr	NPT	With V4055A, D or V4062 – 5 psi (340 mbar); With V4055B or E – 25 psi (1.6 bar)	When used with the V4055B: Approved, Report Nos. 20698, 20835, 21172, and 24068		1/4 in. -18 NPT upstream tap and plug, 1/4 in. -18 NPT downstream tap and plug
V5055D1032/U	2 in.	DN50	3620 cfh	102.5 m <sup>3</sup> /hr	NPT	With V4055A, D or V4062 – 5 psi (340 mbar); With V4055B or E – 15 psi (1 bar)	When used with the V4055B: Approved, Report Nos. 20698, 20835, 21172, and 24068		1/4 in. -18 NPT upstream tap and plug, 1/4 in. -18 NPT downstream tap and plug
V5055D1040/U	2 1/2 in.	DN65	4250 cfh	120 m <sup>3</sup> /hr	NPT	With V4055A, D or V4062 – 5 psi (340 mbar); With V4055B or E – 15 psi (1 bar)	When used with the V4055B: Approved, Report Nos. 20698, 20835, 21172, and 24068		1/4 in. -18 NPT upstream tap and plug, 1/4 in. -18 NPT downstream tap and plug
V5055D1057/U	3 in.	DN80	5230 cfh		NPT	With V4055A, D or V4062 – 5 psi (340 mbar); With V4055B or E – 15 psi (1 bar)	When used with the V4055B: Approved, Report Nos. 20698, 20835, 21172, and 24068		1/4 in. -18 NPT upstream tap and plug, 1/4 in. -18 NPT downstream tap and plug
V5055D1065/U	3/4 in.	DN20	665 cfh		NPT	With V4055A, D or V4062 – 5 psi (340 mbar); With V4055B or E – 25 psi (1.6 bar)	When used with the V4055B: Approved, Report Nos. 20698, 20835, 21172, and 24068		1/4 in. -18 NPT upstream tap and plug, 1/4 in. -18 NPT downstream tap and plug
V5055E1005/U	2 in.	DN50	3620 cfh	102.5 m <sup>3</sup> /hr	NPT	With V4055A, D or V4062 – 5 psi (340 mbar); With V4055B or E – 15 psi (1 bar)	When used with the V4055E: Approved, Report Nos. 20698, 20835, 21172, and 24068		1/4 in. -18 NPT upstream tap and plug, 1/4 in. -18 NPT downstream tap and plug
V5055E1013/U	2 1/2 in.	DN65	4250 cfh	120 m <sup>3</sup> /hr	NPT	With V4055A, D or V4062 – 5 psi (340 mbar); With V4055B or E – 15 psi (1 bar)	When used with the V4055E: Approved, Report Nos. 20698, 20835, 21172, and 24068		1/4 in. -18 NPT downstream tap and plug, 1/4 in. -18 NPT upstream tap and plug
V5055E1021/U	3 in.	DN80	5230 cfh	148 m <sup>3</sup> /hr	NPT	With V4055A, D or V4062 – 5 psi (340 mbar); With V4055B or E – 15 psi (1 bar)	When used with the V4055E: Approved, Report Nos. 20698, 20835, 21172, and 24068		1/4 in. -18 NPT downstream tap and plug, 1/4 in. -18 NPT upstream tap and plug
V5055E1039/U	1 in.	DN25	960 cfh	27.2 m <sup>3</sup> /hr	NPT	With V4055A, D or V4062 – 5 psi (340 mbar); With V4055B or E – 25 psi (1.6 bar)	When used with the V4055E: Approved, Report Nos. 20698, 20835, 21172, and 24068		1/4 in. -18 NPT upstream tap and plug, 1/4 in. -18 NPT downstream tap and plug

Commercial/Industrial  
Combustion Controls

# Industrial Gas Valves

Material Number	Pipe Size (inch)	Pipe Size (DN)	Capacity (cfh)	Capacity (m <sup>3</sup> /hr)	Connection Type	Maximum Operating Differential Pressure	Approvals, Factory Mutual	Comments	Includes
V5055E1047/U	1 1/4 in.	DN32	1406 cfh	39.8 m <sup>3</sup> /hr	NPT	With V4055A, D or V4062 – 5 psi (340 mbar); With V4055B or E – 25 psi (1.6 bar)	When used with the V4055E: Approved, Report Nos. 20698, 20835, 21172, and 24068		1/4 in. -18 NPT downstream tap and plug, 1/4 in. -18 NPT upstream tap and plug
V5055E1054/U	1 1/2 in.	DN40	1717 cfh	48.6 m <sup>3</sup> /hr	NPT	With V4055A, D or V4062 – 5 psi (340 mbar); With V4055B or E – 25 psi (1.6 bar)	When used with the V4055E: Approved, Report Nos. 20698, 20835, 21172, and 24068		1/4 in. -18 NPT upstream tap and plug, 1/4 in. -18 NPT downstream tap and plug
V5055E1062/U	3/4 in.	DN20	665 cfh		NPT	With V4055A, D or V4062 – 5 psi (340 mbar); With V4055B or E – 25 psi (1.6 bar)	When used with the V4055E: Approved, Report Nos. 20698, 20835, 21172, and 24068		1/4 in. -18 NPT upstream tap and plug, 1/4 in. -18 NPT downstream tap and plug
V5055F1003/U	1 in.	DN25	960 cfh	27.2 m <sup>3</sup> /hr	NPT	With V4055A, D or V4062 – 5 psi (340 mbar); With V4055B or E – 25 psi (1.6 bar)		Meets Intent of DIN Seat Leakage Requirements	1/4 in. -18 NPT downstream tap and plug, 1/4 in. -18 NPT upstream tap and plug
V5055F1011/U	1 1/2 in.	DN40	1717 cfh	48.6 m <sup>3</sup> /hr	NPT	With V4055A, D or V4062 – 5 psi (340 mbar); With V4055B or E – 25 psi (1.6 bar)		Meets Intent of DIN Seat Leakage Requirements	1/4 in. -18 NPT downstream tap and plug, 1/4 in. -18 NPT upstream tap and plug
V5055F1037/U	1 1/4 in.	DN32	1406 cfh	39.8 m <sup>3</sup> /hr	NPT	With V4055A, D or V4062 – 5 psi (340 mbar); With V4055B or E – 25 psi (1.6 bar)		Meets Intent of DIN Seat Leakage Requirements	1/4 in. -18 NPT downstream tap and plug, 1/4 in. -18 NPT upstream tap and plug

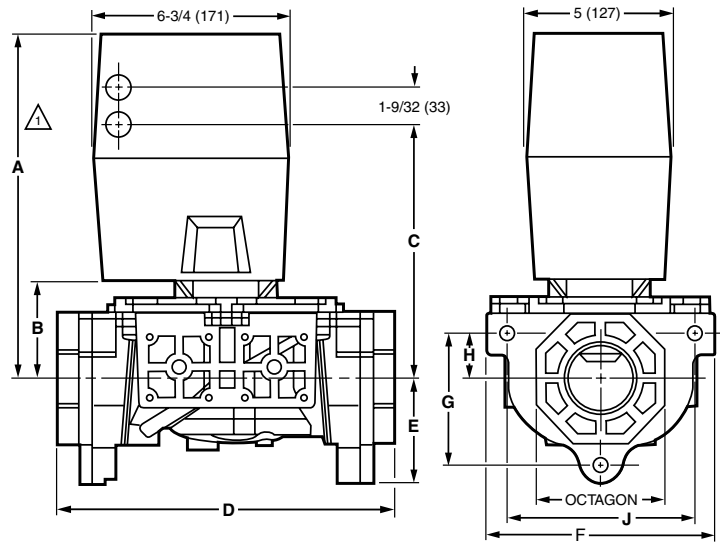
## Dimensions in inches (millimeters)



VALVE SIZE INCH	DIM A		DIM B		DIM C		DIM D		DIM E		DIM F		OCTAGON	
	IN.	MM	IN.	MM	IN.	MM	IN.	MM	IN.	MM	IN.	MM	IN.	MM
3/4	11-1/8	283	2-3/4	70	8-3/16	208	5-3/4	146	2-1/4	57	4-7/8	124	2-13/16	71
1	11-1/8	283	2-3/4	70	8-3/16	208	5-3/4	146	2-1/4	57	4-7/8	124	2-13/16	71
1-1/4	11-1/8	283	2-3/4	70	8-3/16	208	5-3/4	146	2-1/4	57	4-7/8	124	2-13/16	71
1-1/2	11-1/8	283	2-3/4	70	8-3/16	208	5-3/4	146	2-1/4	57	4-7/8	124	2-13/16	71
2	11-1/4	286	2-7/8	73	8-5/16	211	8-3/8	213	2-3/4	70	7-19/32	193	3-1/2	89
2-1/2	11-3/4	299	3-3/8	86	8-13/16	224	9-1/4	235	2-3/4	70	7-19/32	193	4-1/2	114
3	11-3/4	299	3-3/8	86	8-13/16	224	9-1/4	235	2-3/4	70	7-19/32	193	4-1/2	114

M27268A

# Industrial Gas Valves



$\triangle 1$  ALLOW 2 IN. (51 MM) CLEARANCE FOR ACTUATOR REMOVAL.

VALVE SIZE (IN.)	DIM. A		DIM. B		DIM. C		DIM. D		DIM. E		DIM. F		DIM. G		DIM. H		DIM. J		OCTAGON	
	IN.	MM	IN.	MM	IN.	MM	IN.	MM	IN.	MM	IN.	MM	IN.	MM	IN.	MM	IN.	MM	IN.	MM
3/4	11-1/8	283	2-3/4	70	8-3/16	208	8-1/4	210	2-7/16	62	5	127	2-5/16	58	7/8	23	3-15/16	100	2-13/16	71
1	11-1/8	283	2-3/4	70	8-3/16	208	8-1/4	210	2-7/16	62	5	127	2-5/16	58	7/8	23	3-15/16	100	2-13/16	71
1-1/4	11-1/8	283	2-3/4	70	8-3/16	208	8-1/4	210	2-7/16	62	5	127	2-5/16	58	7/8	23	3-15/16	100	2-13/16	71
1-1/2	11-1/8	283	2-3/4	70	8-3/16	208	8-1/4	210	2-7/16	62	5	127	2-5/16	58	7/8	23	3-15/16	100	2-13/16	71
2	11-3/4	298	3-3/8	86	8-5/16	211	11-3/4	298	3-5/8	91	8	203	4-7/16	113	1-1/2	38	6-1/2	165	4-1/2	114
2-1/2	11-3/4	298	3-3/8	86	8-5/16	211	11-3/4	298	3-5/8	91	8	203	4-7/16	113	1-1/2	38	6-1/2	165	4-1/2	114
3	11-3/4	298	3-3/8	86	8-5/16	211	11-3/4	298	3-5/8	91	8	203	4-7/16	113	1-1/2	38	6-1/2	165	4-1/2	114

M27581

Commercial/Industrial  
Combustion Controls