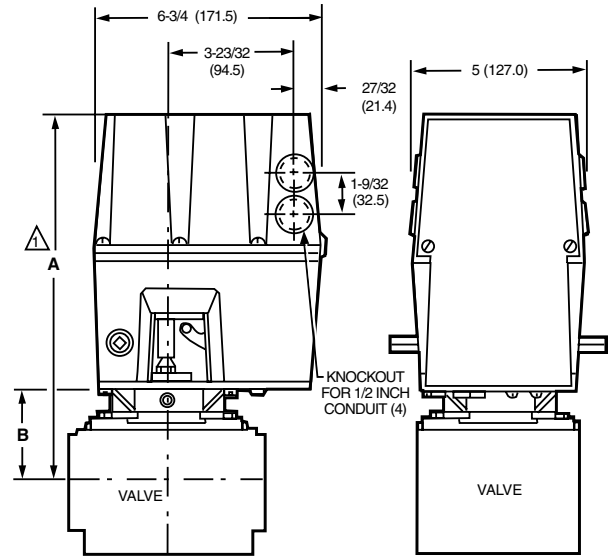


V4055A, B, D, E On-Off Fluid Power Gas Valve Actuator



Dimensions in inches (millimeters)



Use in combination with V5055 or V5097 Gas Valves to control gas supply to commercial and industrial burners.

- Use where smooth light off is important.
- One-second maximum closing time.
- Continuously displays the valve position with a red indicator when open and a yellow indicator when closed.
- Mount in any position directly to valve bonnet with three setscrews.
- Provide final safety shutoff service when used with V5055 or V5097 Gas Valves.

Operating Temperature Ratings: 60 Hz Models: -40°F to +150°F (-40°C to +66°C). 50 Hz, 50/60 Hz Models: -10°F to +158°F (-23°C to +70°C).

Contact Ratings: V4055D, E ONLY-Proof of Closure (Factory Mutual) Switch – 9.8 AFL, 58.8 ALR, 1/2 hp; 4.9 AFL, 29.4 ALR, 1/2 hp

Used With: V5055; V5097 Gas Valves

Approvals, CSA: When used with V5055 and V5097: Certified General listed File No. 158158, Class 3371 for USA and Canada

Approvals, Underwriters Laboratories Inc.: When used with V5055A-E (3/4 to 4 in.) or V5097A-E (3/4 to 3 in.): Listed, File No. MH1639 Guide No. YIOZ

Approvals, Factory Mutual: V4055A-When used with the V5055A, B or V5097A, B: Approved, Report Nos. 20698, 20835, 21172, and 24061; V4055B, D, E-When used with the V5055D or V5097D: Approved, Report Nos. 20698, 20835, 21172, and 24061

Approvals, Swiss RE: When used with V5055 or V5097: Acceptable

△ ALLOW 4 IN. (101.6 MM) CLEARANCE FOR ACTUATOR REMOVAL.

VALVE SIZE INCH	V5055				V5097			
	DIM A		DIM B		DIM A		DIM B	
	IN.	MM	IN.	MM	IN.	MM	IN.	MM
3/4	11-1/8	282.6	2-3/4	69.9	11-1/8	283	2-3/4	70
1	11-1/8	282.6	2-3/4	69.9	11-1/8	283	2-3/4	70
1-1/4	11-1/8	282.6	2-3/4	69.9	11-1/8	283	2-3/4	70
1-1/2	11-1/8	282.6	2-3/4	69.9	11-1/8	283	2-3/4	70
2	11-1/4	285.8	2-7/8	73.0	11-3/4	298	3-3/8	86
2-1/2	11-3/4	298.5	3-3/8	85.7	11-3/4	298	3-3/8	86
3	11-3/4	298.5	3-3/8	85.7	11-3/4	298	3-3/8	86
4	14-1/8	358.8	5-13/16	147.6	—	—	—	—

M10981A

Commercial/Industrial
Combustion Controls

Material Number	Electrical Ratings	Frequency	Timing	Internal Auxiliary Switch	Maximum Safe Operating Pressure (psi)	Maximum Safe Operating Pressure (kPa)	Auxiliary Switch Ratings	Comments	Includes
V4055A1007/U	120 Vac	60 Hz	Opening – 26 sec; Closing – < 1 sec	No	5 psi	34 kPa			
V4055A1031/U	120 Vac	50 Hz; 60 Hz	Opening – 13 sec; Closing – < 1 sec	No	5 psi	34 kPa			
V4055A1064/U	120 Vac	50 Hz; 60 Hz	Opening – 26 sec; Closing – < 1 sec	No	5 psi	34 kPa			Damper Shaft
V4055A1080/U	240 Vac	50 Hz; 60 Hz	Opening – 26 sec; Closing – < 1 sec	No	5 psi	34 kPa			Damper Shaft
V4055A1098/U	120 Vac	50 Hz; 60 Hz	Opening – 13 sec; Closing – < 1 sec	No	5 psi	34 kPa			Damper Shaft
V4055A1114/U	240 Vac	50 Hz; 60 Hz	Opening – 13 sec; Closing – < 1 sec	No	5 psi	34 kPa			Damper Shaft
V4055A1296/U	120 Vac	60 Hz	Opening – 13 sec; Closing – < 1 sec	Yes - adjusted to 90% stroke	5 psi	34 kPa	120 Vac – 9.8 AFL, 58.8 ALR, 1/2 hp; 240 Vac – 4.9 AFL, 29.4 ALR, 1/2 hp		
V4055A1304/U	120 Vac	60 Hz	Opening – 26 sec; Closing – < 1 sec	No	5 psi	34 kPa			Damper Shaft with return spring installed
V4055A1312/U	120 Vac	60 Hz	Opening – 26 sec; Closing – < 1 sec	No	5 psi	34 kPa		Nema 4 Enclosure	
V4055B1021/U	120 Vac	60 Hz	Opening – 26 sec; Closing – < 1 sec	No	15 or 25 psi	103 or 172 kPa			Damper Shaft
V4055B1039/U	120 Vac	60 Hz	Opening – 13 sec; Closing – < 1 sec	No	15 or 25 psi	103 or 172 kPa			Damper Shaft